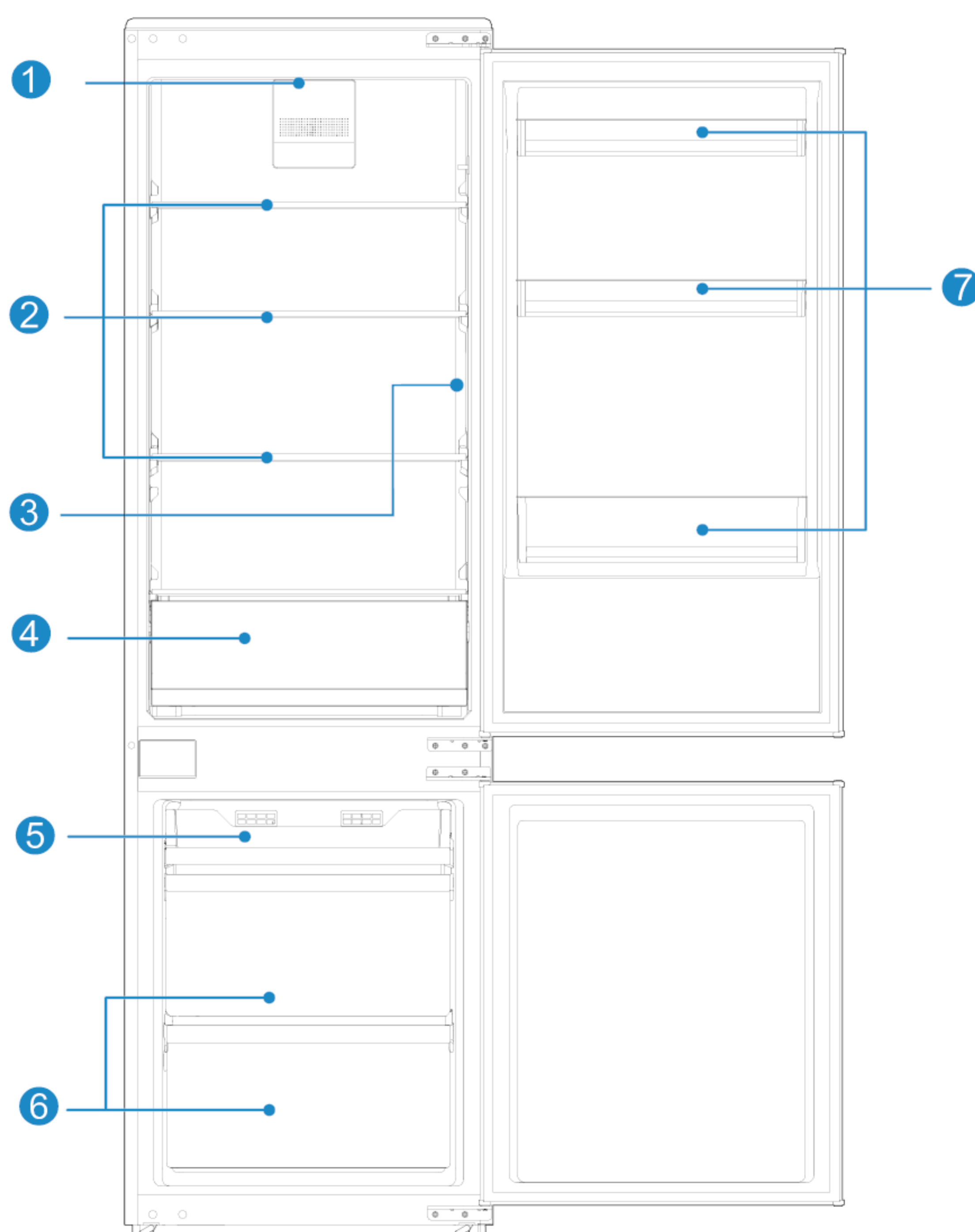


# Product Overview

## Product Introduction

### Normal type



- |                                    |                                    |
|------------------------------------|------------------------------------|
| <b>1</b> LED lighting              | <b>2</b> Glass shelves in fridge   |
| <b>3</b> Temperature-control panel | <b>4</b> Fruits and vegetables box |
| <b>5</b> Storage box               | <b>6</b> Drawer                    |
| <b>7</b> Door tray                 |                                    |

- For the most efficient use of energy, please keep the all internal items such as trays, drawers, shelves and ice cube box on the position supplied by manufacturer.

### • | Attention

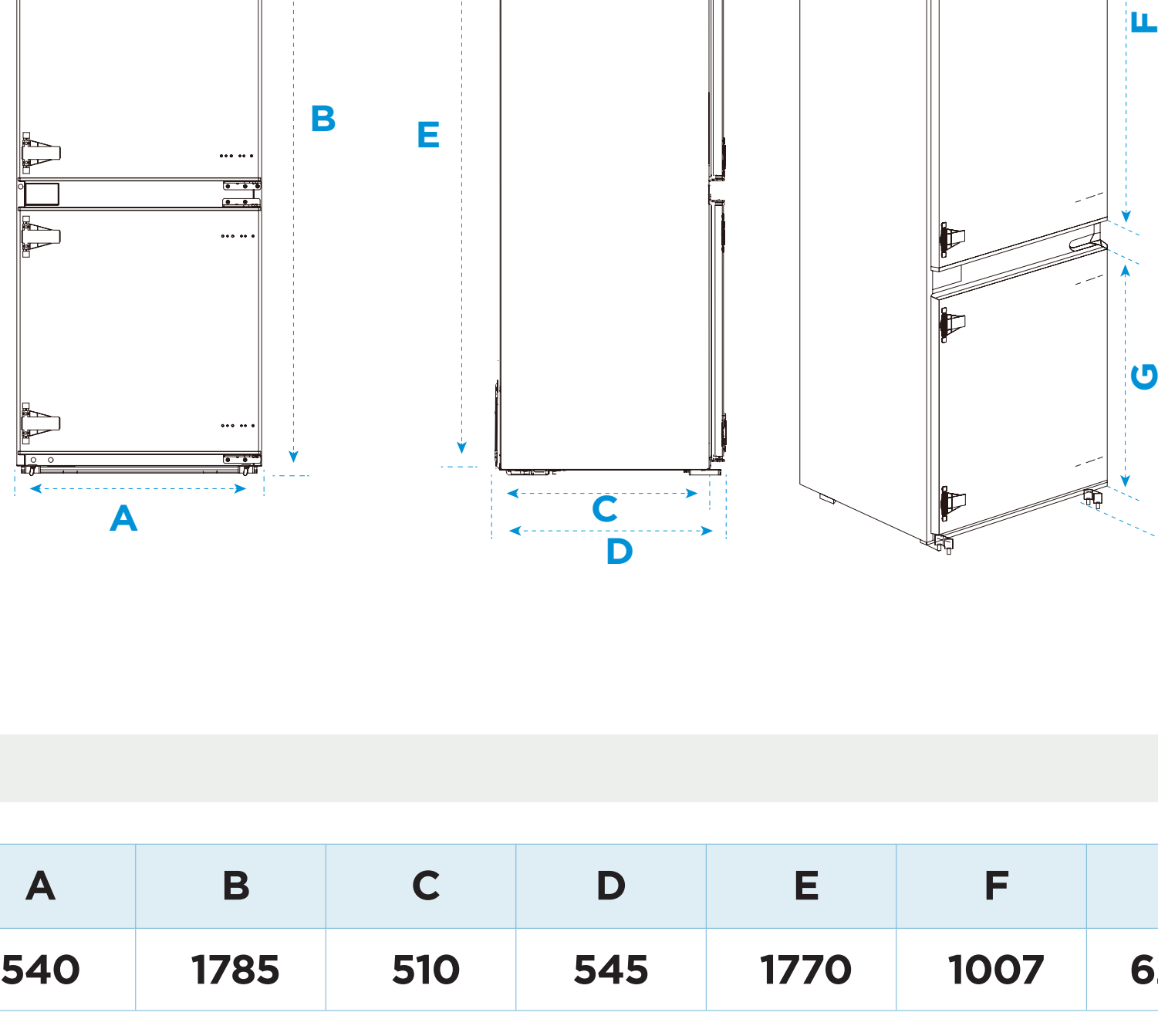
**Differences:** Due to technical changes and different models, some of the illustrations in this manual may differ from your model.

# Product Installation

## Space requirement diagram

This refrigerating appliance is intended to be used as a built-in appliance.

When installing the unit into the cabinet, make sure that air can circulate freely around the back of the cabinet.



A	B	C	D	E	F	G
540	1785	510	545	1770	1007	620.5

Notice: All dimensions in mm

## Installing into cabinet

Tools required: Long reach screwdriver / Bradawl / Small hammer / Tape measure / Pencil / a spirit level

### • | CAUTION

When installing the unit into the cabinet, make sure that air can circulate freely around the back of the cabinet.

The plug must be easily accessible from the mains power supply after installation. The appliance must be possible to easily connect to and disconnect from the mains power supply after installation.

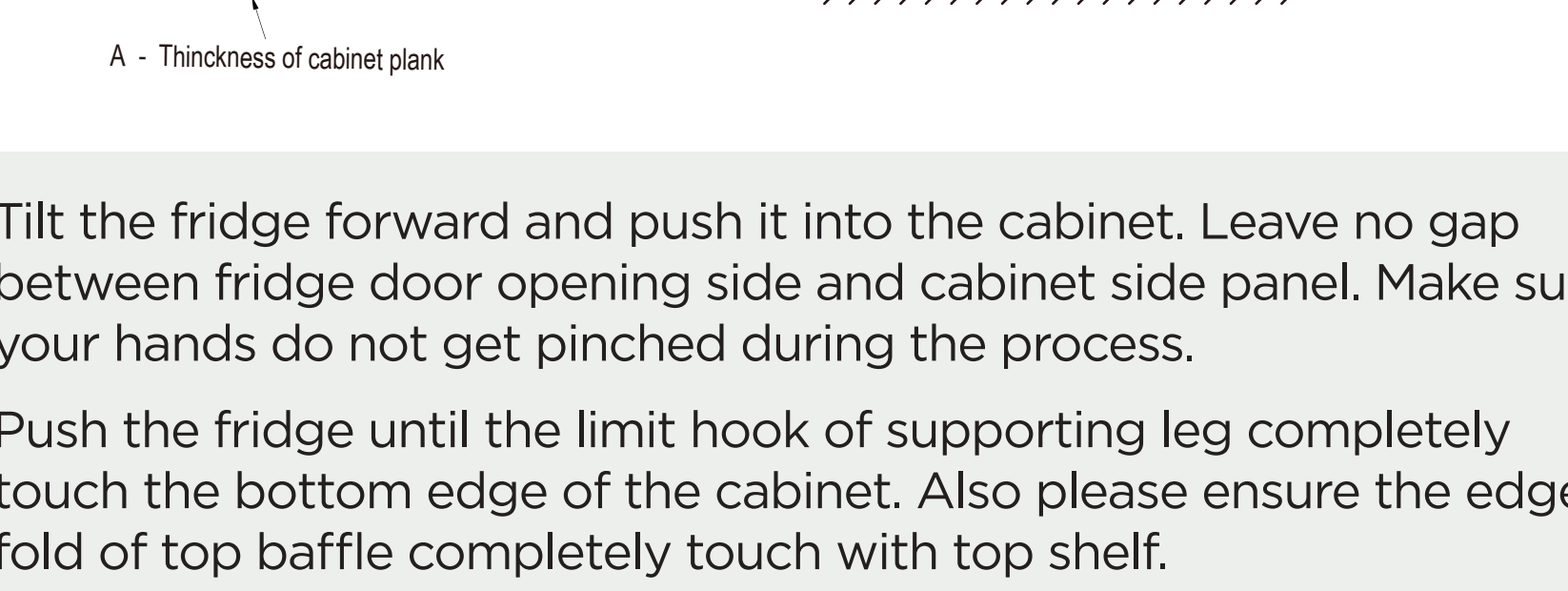
Wear anti-cut safety gloves whilst performing the installation.

We recommend that at least 2 people handle the installation.

Check thoroughly to ensure the doors are fully closed/sealed after the installation.

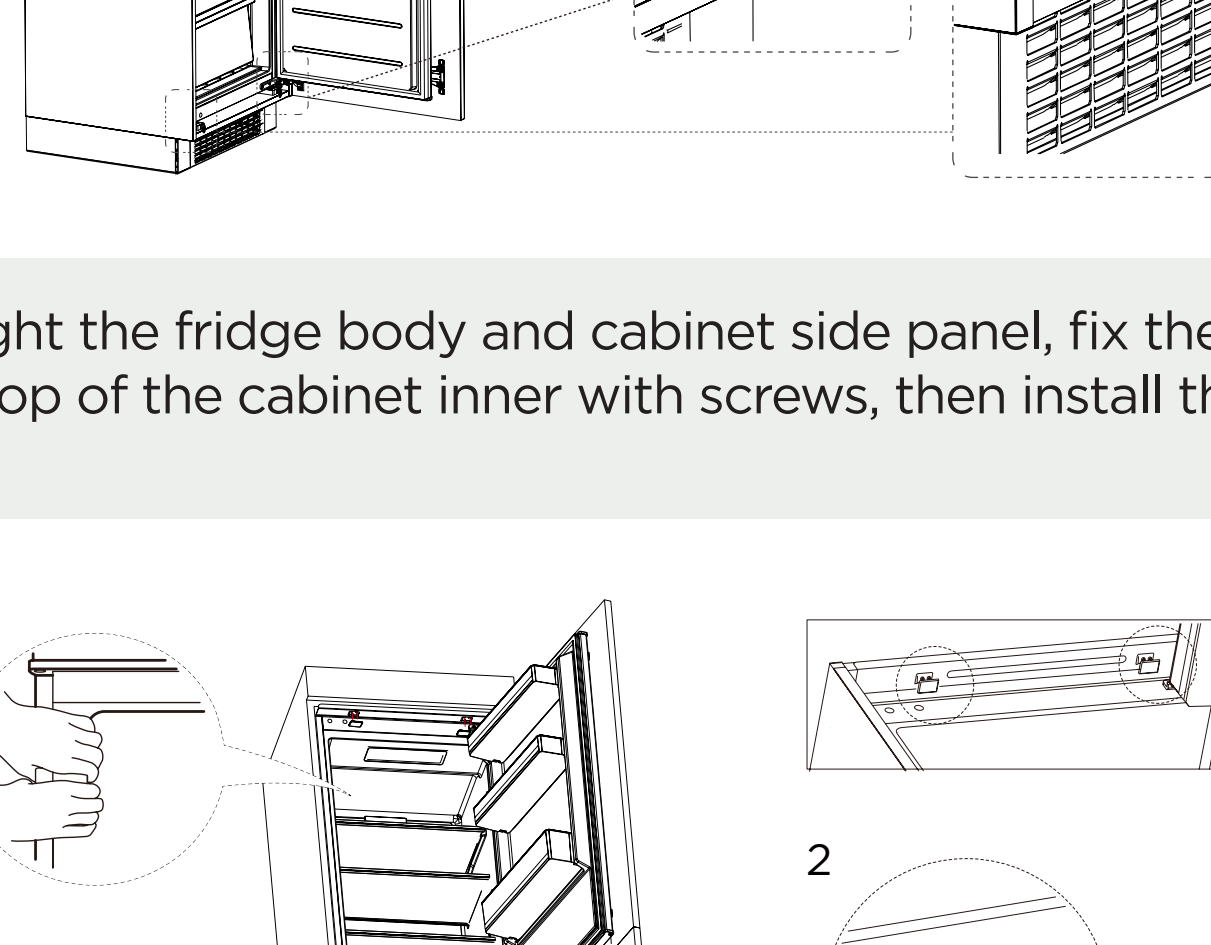
### Steps:

1. Cabinet size requirement.

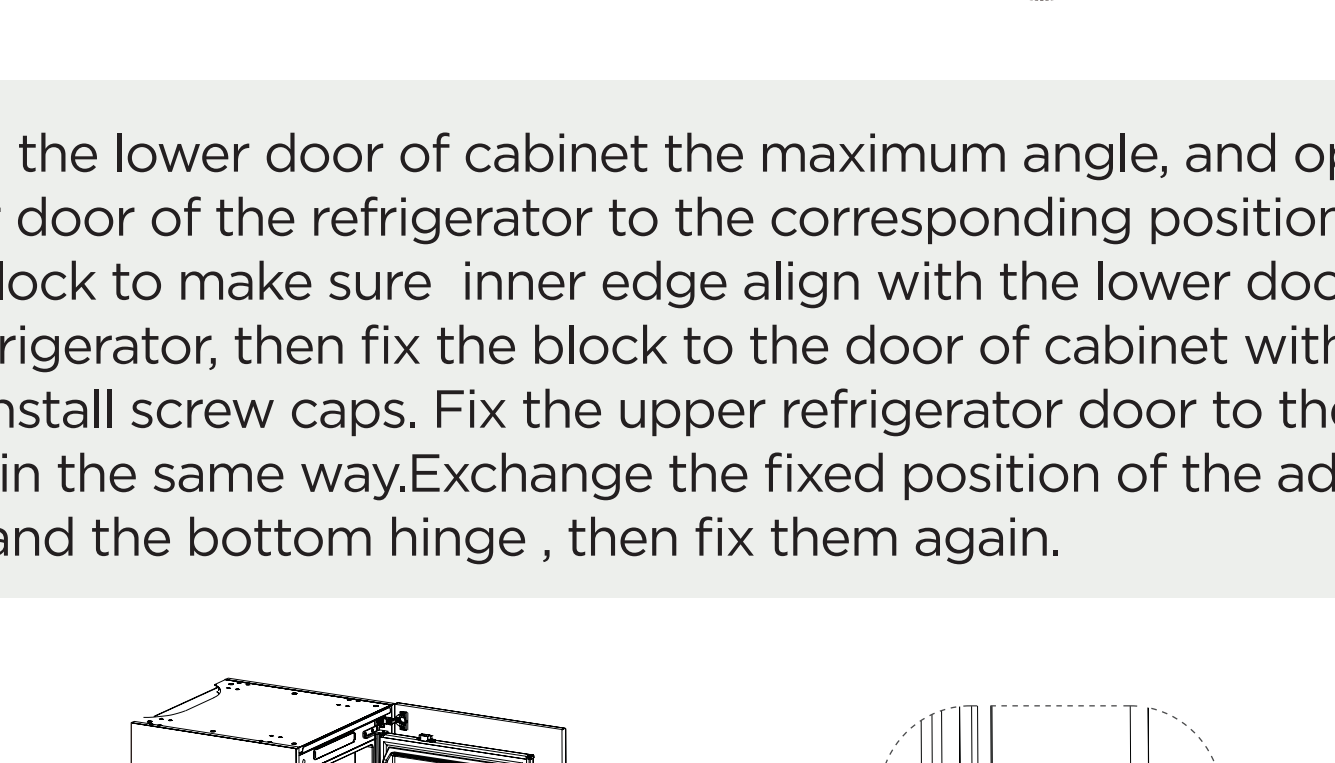


2. Tilt the fridge forward and push it into the cabinet. Leave no gap between fridge door opening side and cabinet side panel. Make sure your hands do not get pinched during the process.

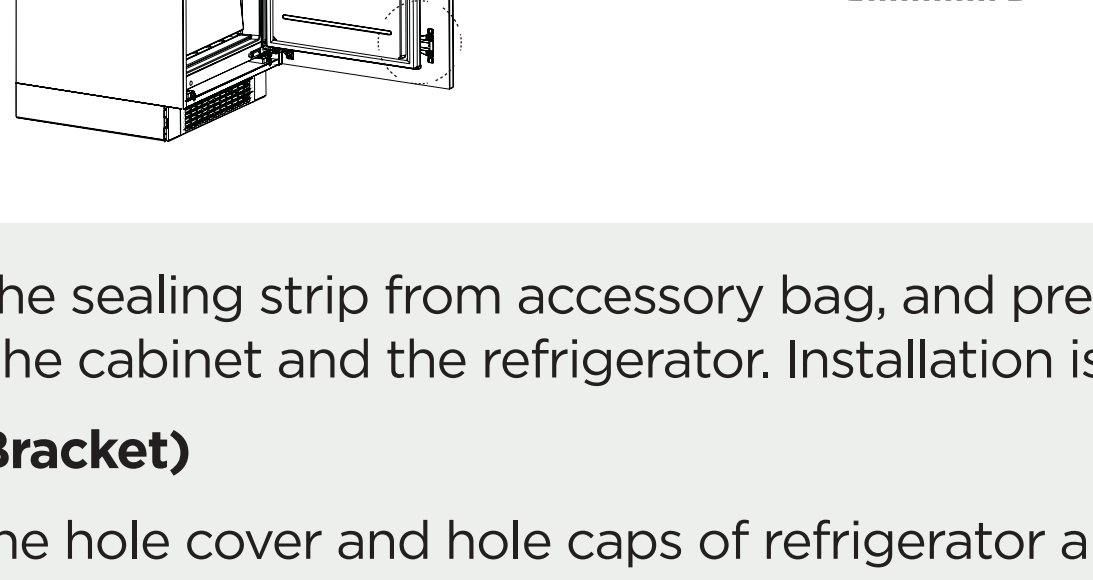
3. Push the fridge until the limit hook of supporting leg completely touch the bottom edge of the cabinet. Also please ensure the edge fold of top baffle completely touch with top shelf.



4. Hold tight the fridge body and cabinet side panel, fix the top baffle to the top of the cabinet inner with screws, then install the screw caps.



5. Open the lower door of cabinet the maximum angle, and open the lower door of the refrigerator to the corresponding position. Sliding the block to make sure inner edge align with the lower door edge of refrigerator, then fix the block to the refrigerator of cabinet with screw and install screw caps. Fix the upper refrigerator door to the cabinet door in the same way. Exchange the fixed position of the adjustable foot and the bottom hinge, then fix them again.



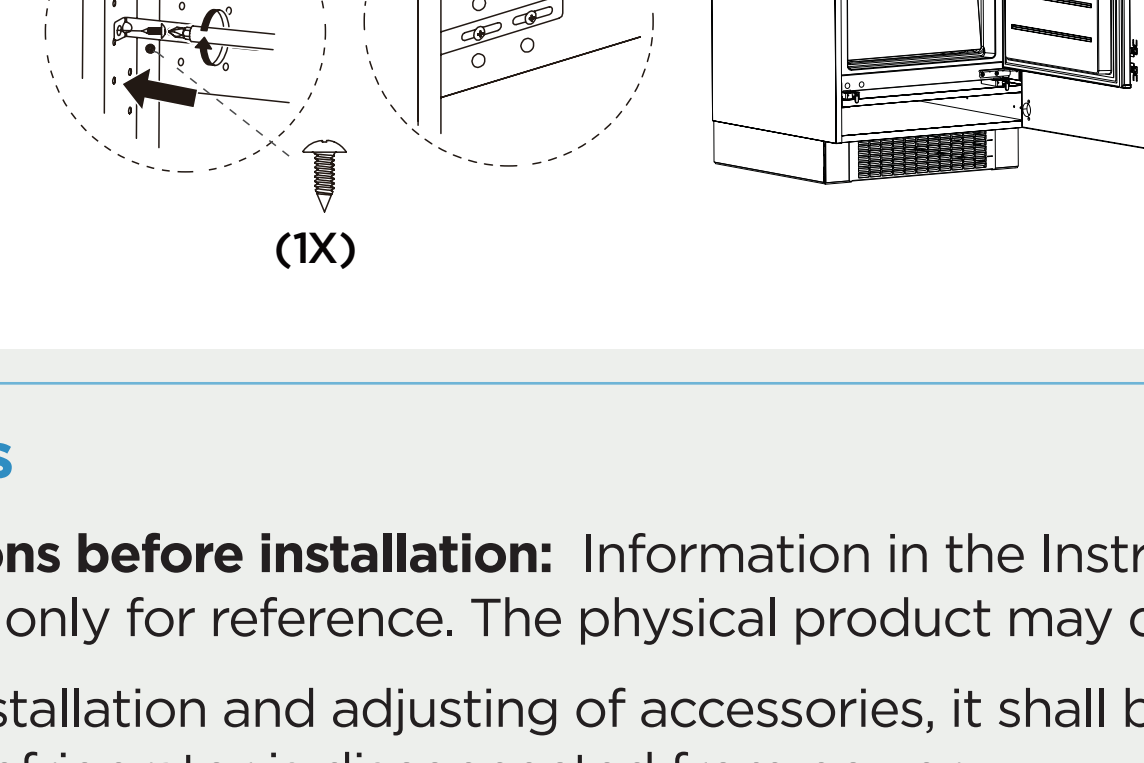
6. Take out the sealing strip from accessory bag, and press it in the gap between the cabinet and the refrigerator. Installation is completed.

### (Optional L Bracket)

7. Remove the hole cover and hole caps of refrigerator and insert the caps on the other side.



8. Install the L Bracket as below.



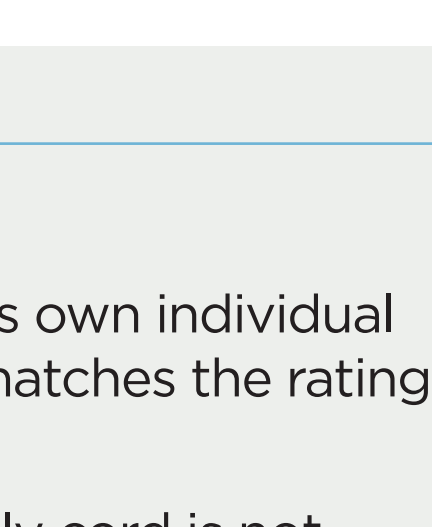
### • | Tips

**Precautions before installation:** Information in the Instruction Manual is only for reference. The physical product may differ.

Before installation and adjusting of accessories, it shall be ensured that the refrigerator is disconnected from power.

## Connecting the appliance

After installing the product, please let it stay for more than 2 hours before turning on the power, otherwise it will lead to a decrease in cooling capacity or a damage to the product.



Allow the appliance to run empty for 24 hours so the compartment can cool to the appropriate temperature.

### • | CAUTION

The refrigerator should always be plugged into its own individual electrical outlet which has a voltage rating that matches the rating plate.

When positioning the appliance, ensure the supply cord is not trapped or damaged.

## Ambient Temperature

Depending on the climate class, this refrigerator is intended to be used at an ambient temperature range as specified in the following table.

The product may not operate properly at temperatures outside of the specific range.

You can find the climate class on the product label.

Climate Class	Ambient Temperature
SN	+10 °C to +32 °C
N	+16 °C to +32 °C
ST	+16 °C to +38 °C
T	+16 °C to +43 °C

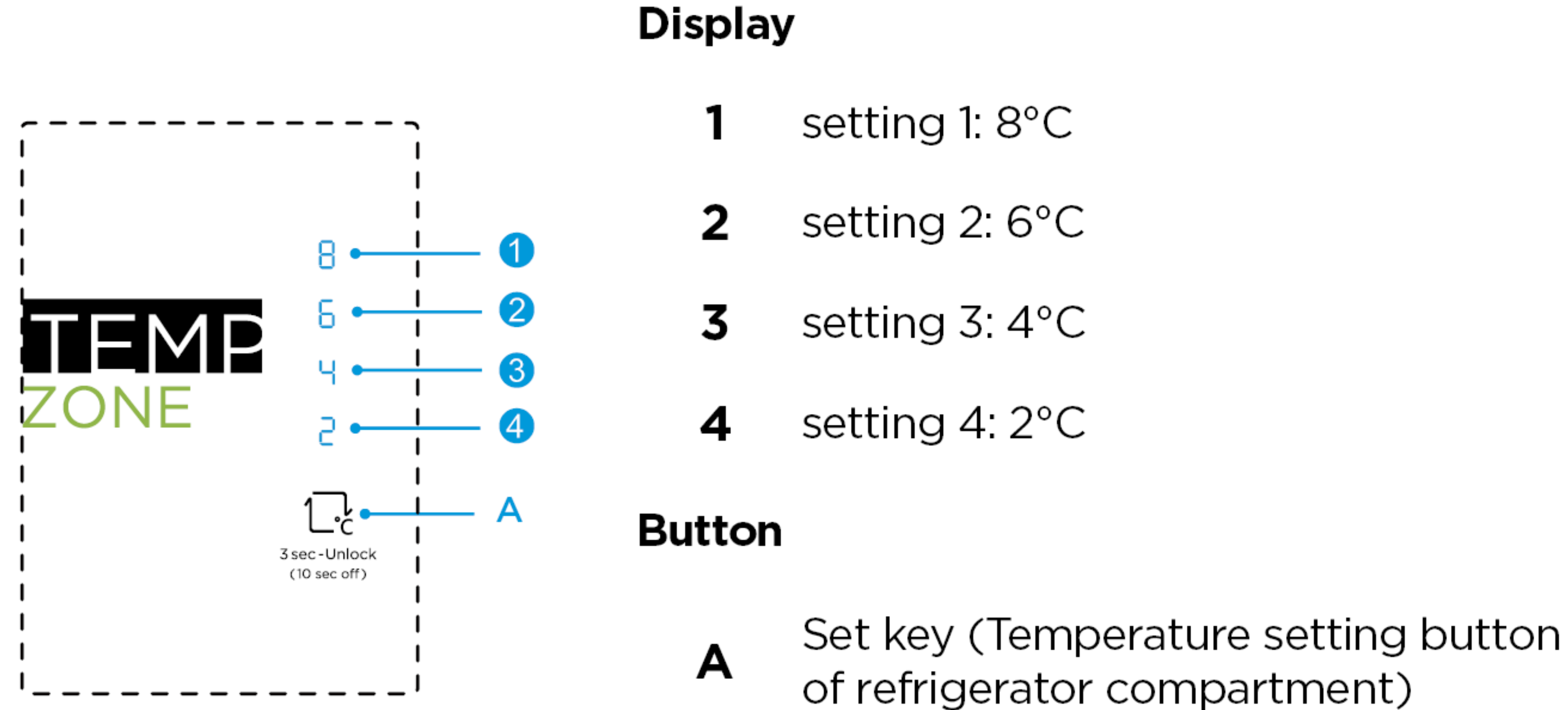
**If you have any doubts regarding installation, please turn to the vendor, to our customer service or to the nearest Authorised Service Centre.**

### • | Tips

The cooling performance and power consumption of the refrigerator may be affected by the ambient temperature, the door-opening frequency, and the location of the refrigerator. We recommend adjusting the temperature settings as appropriate.

# Product Operation

## Control panel



### • | Attention

The actual control panel may differ from model to model.

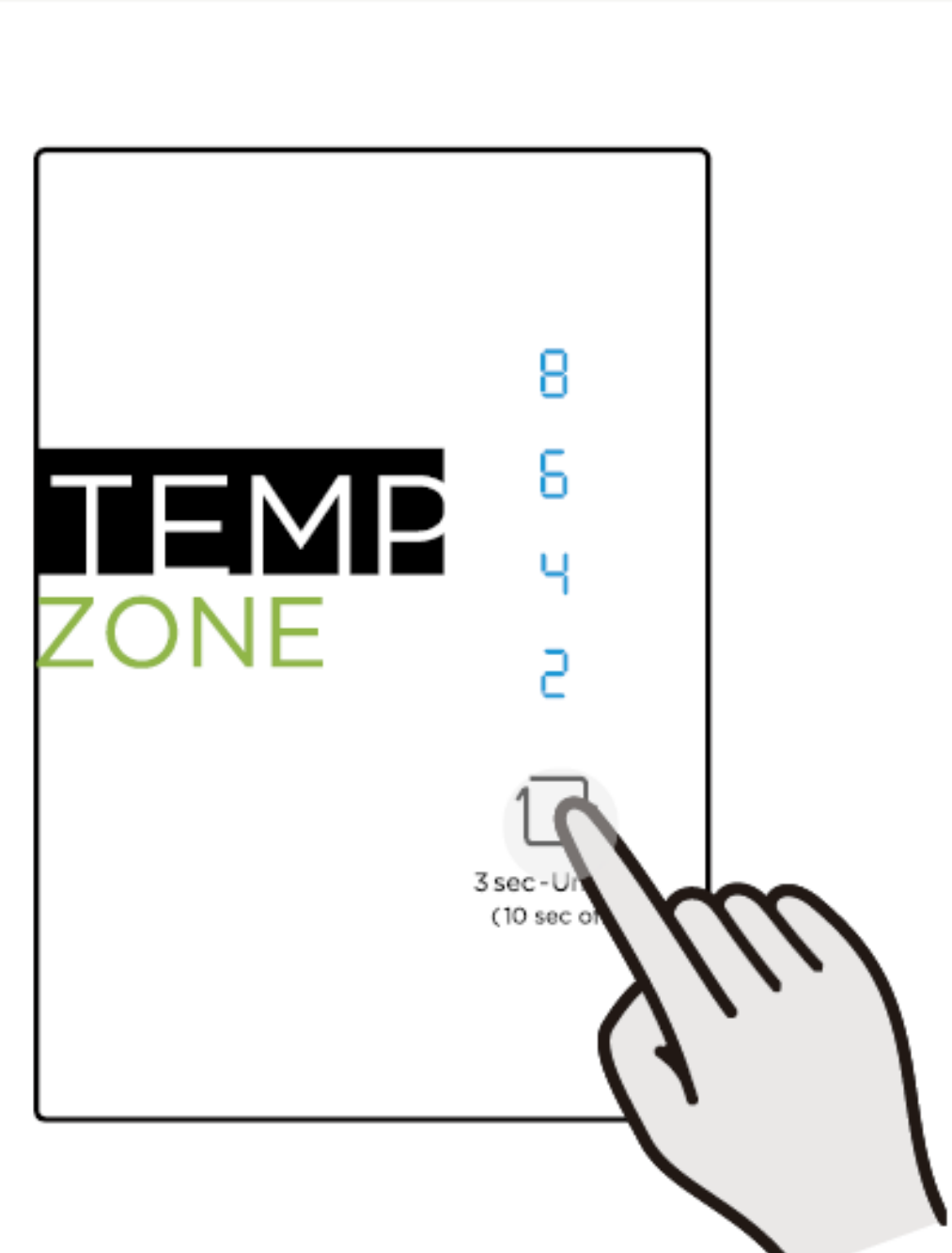
## Operation Instruction

### a | Display

Once initially power on, the display screen is on full display for 3s, and then the refrigerator runs according to setting 3.

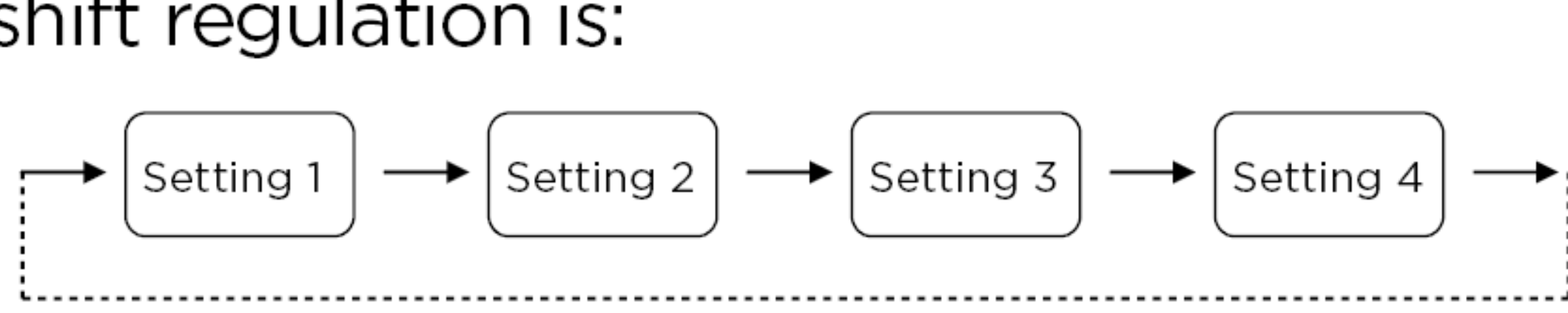
- Normal operation display
- In case of a failure, the corresponding LED blinks.
- In case of no failures, it shows the actual temperature setting of refrigerator.

### b | Setting the temperature



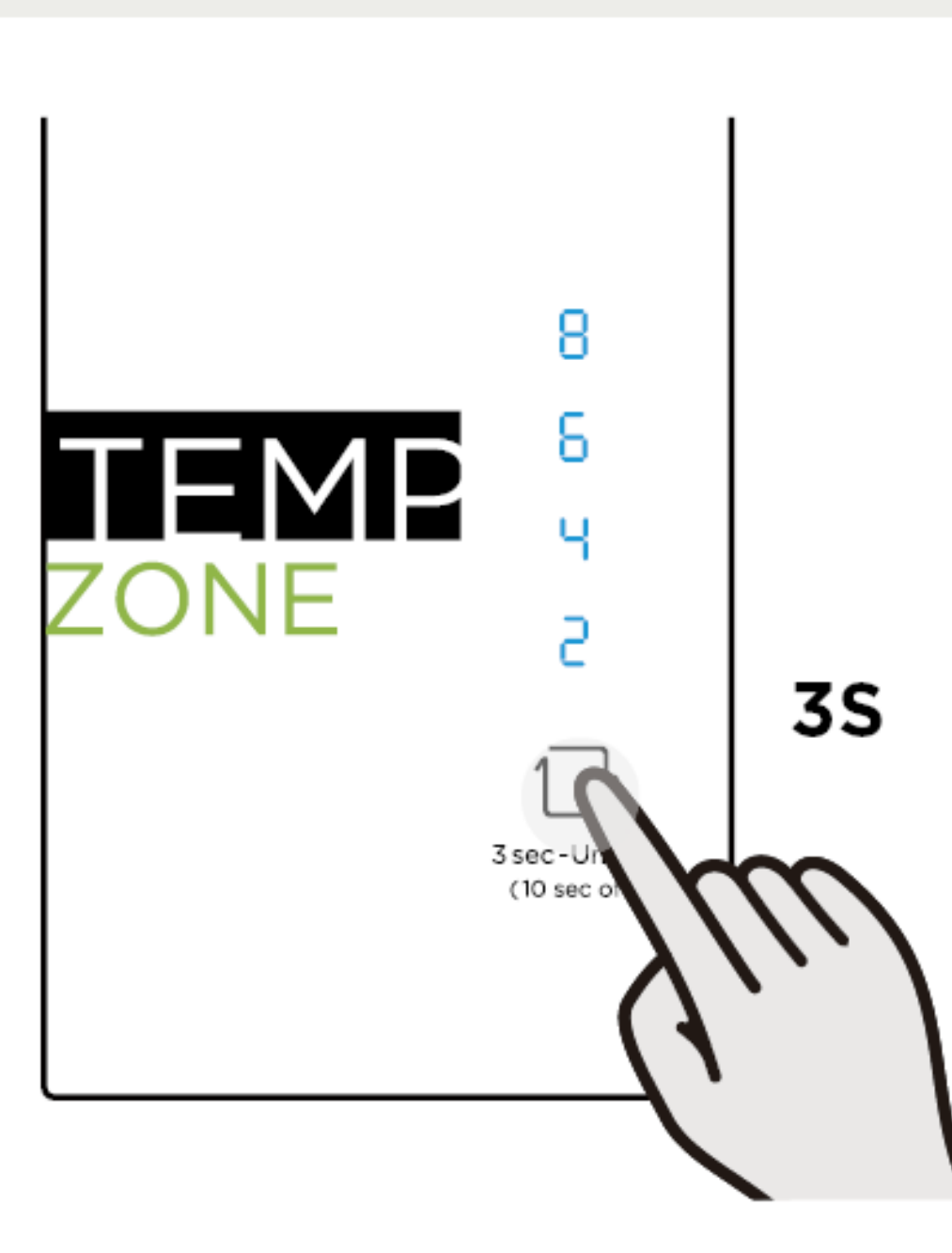
Each time the temperature setting button “A” is pressed once, the temperature setting changes one time. After the temperature setting has been completed, the refrigerator will run according to the set value after 30s.

The shift regulation is:



- **Recommended setting: Refrigerated chamber 4°C.**

### c | Mode setting



#### Super Freezing mode

press the button “A” for 3s, then super freezing mode is on.

When press the button again, this mode will be quit. If no pushing in super freezing mode, it will be quit automatically in 20h.

### d | Lock/Unlock

When the temperature control panel is in lock state, it needs to long press temperature setting key “A” for 3 seconds for unlocking the panel, all LEDs will blink for 2 second when panel is unlocked.

When the temperature control panel is in unlock state, if there is no operation on control panel within 30 seconds, it will enter into lock state automatically.

### e | Power off function

#### Entry mode:

In the unlocking state, set the key SET for 10S (when the display and control of the refrigerator are all off, the SET button will take effect when the key is released). After 30S, the refrigerator will enter the power off function mode, all loads are turned off, and the display and control of the refrigerator will be all off in the power off mode.

#### Exit method:

In power off mode, press the SET key to exit the power off mode and the refrigerator will return to normal control.

### f | Fault indication

The following warnings appearing on the display indicate corresponding faults of the refrigerator.

Though the refrigerator may still have cooling a freezing function with the following faults, the user shall contact a maintenance specialist for maintenance, so as to ensure normal use of the refrigerator.

Fault Code	Fault Description
Indicator setting 1	Refrigerator temperature sensor circuit
Indicator setting 2	Refrigerator defrost sensor
Indicator setting 3	Freezer defrost sensor
Indicator setting 4	Ambient temperature sensor

### g | Changing the light

Any replacement or maintenance of the LED lamps is intended to be made by the manufacturer, its service agent or similar qualified person.

### • | Attention

This product contains a light source of energy efficiency class (F).

# Maintenance Tips

## Overall cleaning

- Disconnect the appliance from the electrical supply before undertaking any routine maintenance. Allow at least 5 minutes before restarting the appliance, as frequent starting may damage the compressor.
- Do not use mechanical devices or other means to accelerate the defrosting process, other than those recommended by the manufacturer.
- Do not try to repair, disassemble or modify the appliance by yourself. In case of repair please contact our customer service.
- Eliminate the dust on the back of the unit at least once in the year to avoid hazard by fire, as well as increased energy consumption.
- Check the door gasket regularly to make sure there are no debris. Clean the door gasket with a soft cloth dampened with soapy water or diluted detergent.
- The interior of the product should be cleaned regularly to avoid odor.
- Use a soft cloth or sponge to clean the inside of the product, with two tablespoons of baking soda and a quart of warm water. Then rinse with water and wipe clean. After cleaning, open the door and let it dry naturally before turning on the power.
- For areas that are difficult to clean in the product (such as narrow sandwiches, gaps or corners), it is recommended to wipe them regularly with a soft rag, soft brush, etc. and when necessary, combined with some auxiliary tools (such as thin sticks) to ensure no contaminants or bacterials accumulation in these areas.
- Wipe the outer surface of the product with a soft cloth dampened with soapy water, detergent, etc., and then wipe dry.
- Do not use hard brushes, clean steel balls, wire brushes, abrasives (such as toothpastes), organic solvents (such as alcohol, acetone, Isoamyl acetate, etc.), boiling water, acid or alkaline items, which may damage the fridge surface and interior. Boiling water and organic solvents such as benzene may deform or damage plastic parts.
- Do not rinse directly with water or other liquids during cleaning to avoid short circuits or affect electrical insulation after immersion.



### • | Notes:

The appliance shall run continuously once it is started. Generally, the operation of the appliance shall not be interrupted; otherwise the service life may be impaired

## Defrosting

Although this appliance automatically defrosts, a layer of frost may occur on the freezer compartment's interior walls if the freezer door is opened frequently or kept open too long. If the frost is too thick, choose a time when the supply of food stocks are low and proceed as follows:

1. Remove existing food and accessories baskets, unplug the appliance from the mains power and leave the doors open. Ventilate the room thoroughly to accelerate the thawing process.
2. When defrosting is completed, clean your freezer as described above.

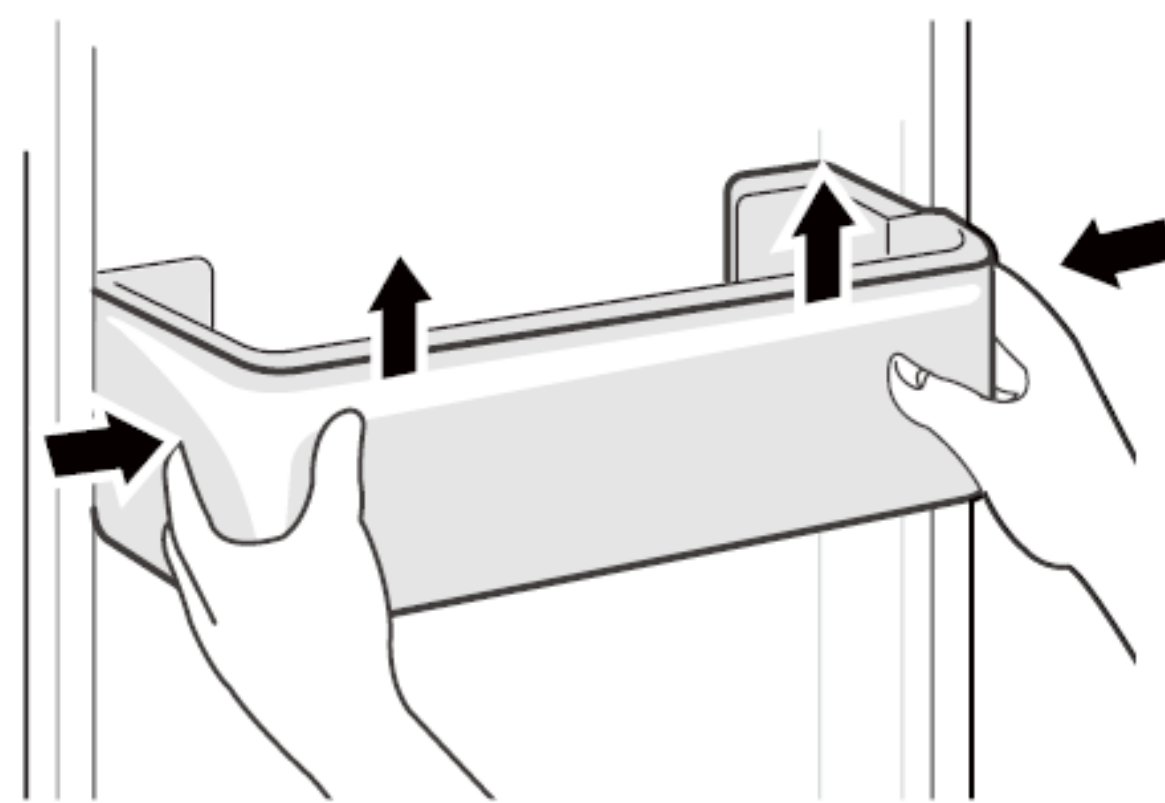
### • | CAUTION!

Don't use sharp objects to remove frost from the freezer. Only after the interior completely dry should the appliance be switched back on and plugged back into the mains socket

## Cleaning of door tray

According to the direction arrow in the figure below, use both hands to squeeze the tray, and push it upward, then you can take it out.

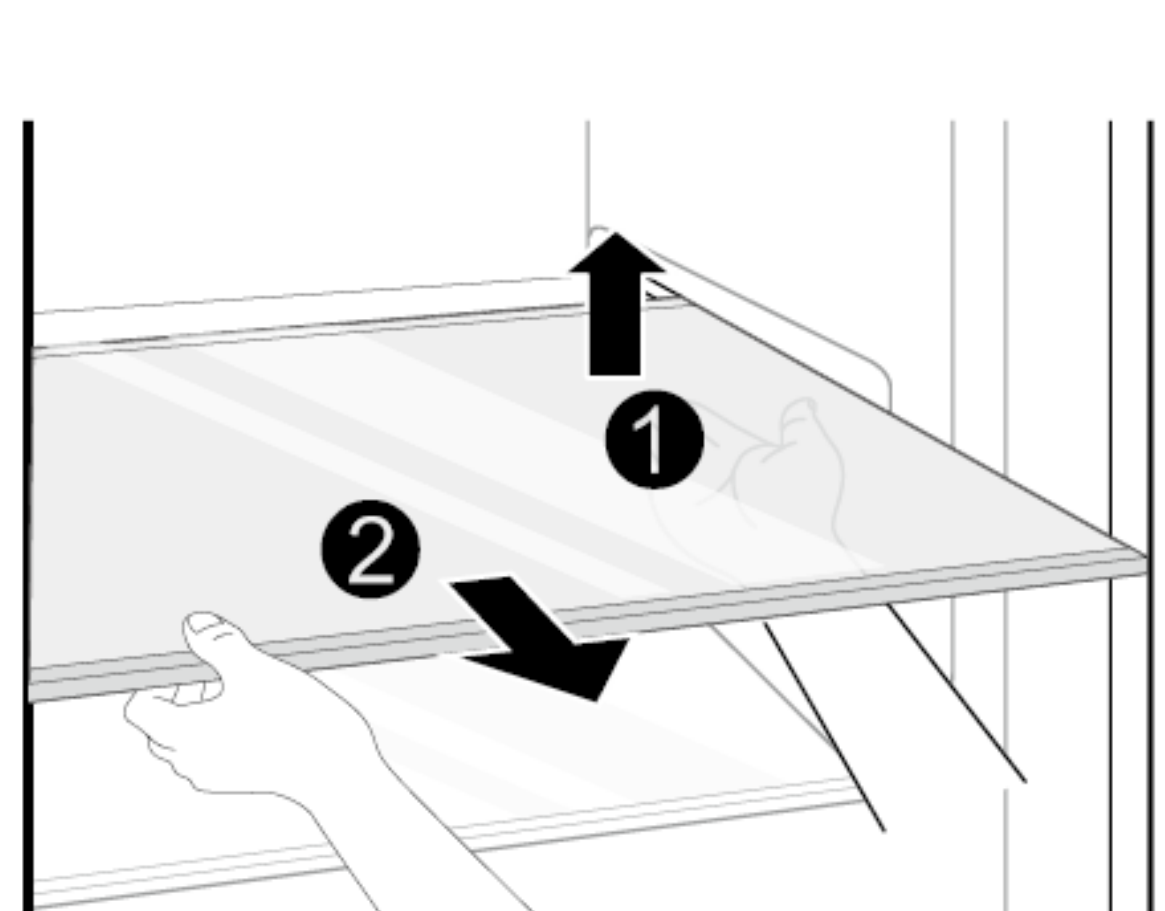
After washing the tray having been taken out, you can adjust its installing height in accordance with your requirement.



## Cleaning of glass shelf

As the innermost part of the refrigerator liner where contacting the shelves has a backstop, you shall raise the shelves upward, then you can be able to take it out.

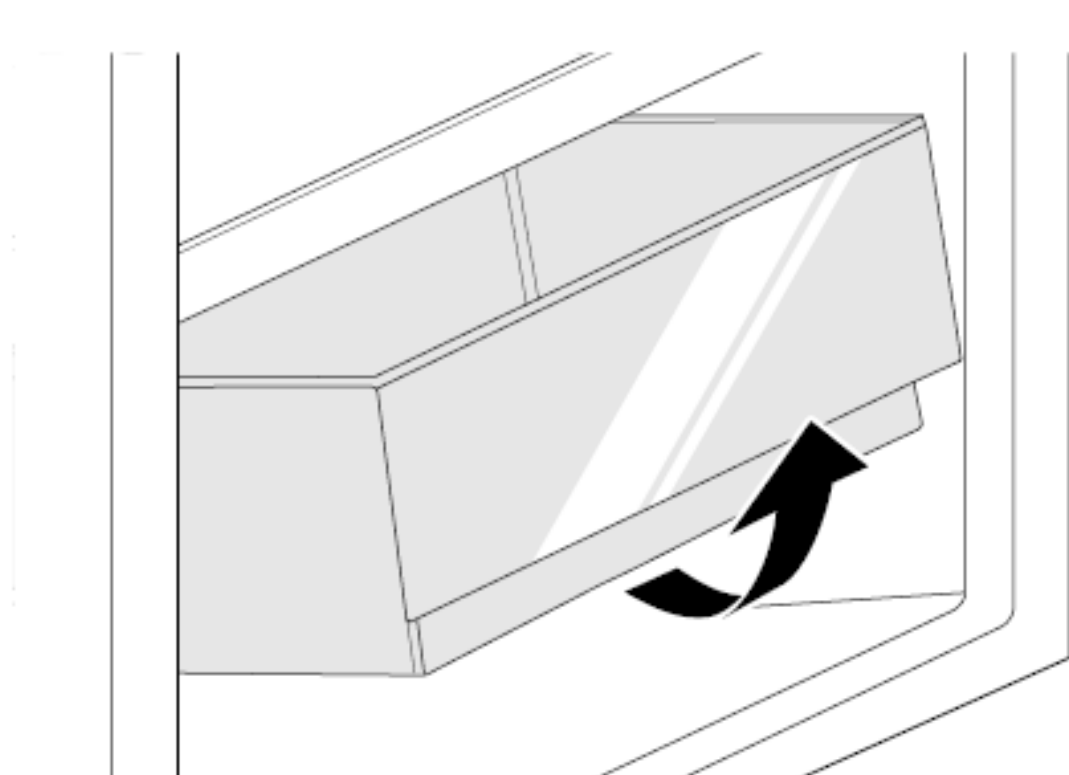
Adjust or clean the shelves according to your requirement.



## Cleaning the vegetable drawer

Remove the contents of the drawer. Hold the handle of the vegetable drawer and pull it out completely until it stops.

Lift the vegetable drawer up and remove it by pulling it out.



### • | Notes:

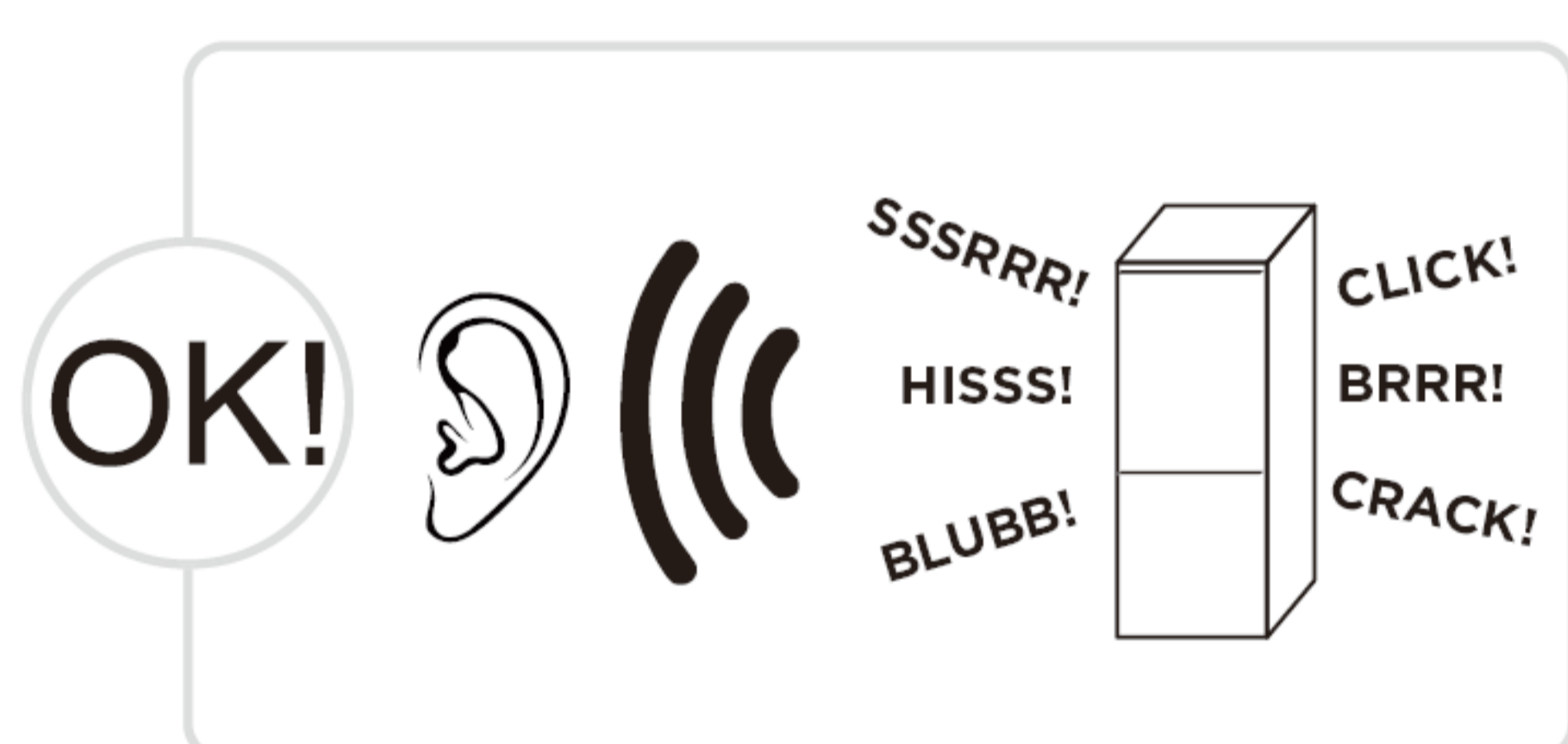
**Differences:** Due to technical changes and different models, some of the illustrations in this manual may differ from your model.

# Troubleshooting

**You may try to solve the following simple problems by yourself. If they cannot be solved, please contact the after-sales department.**

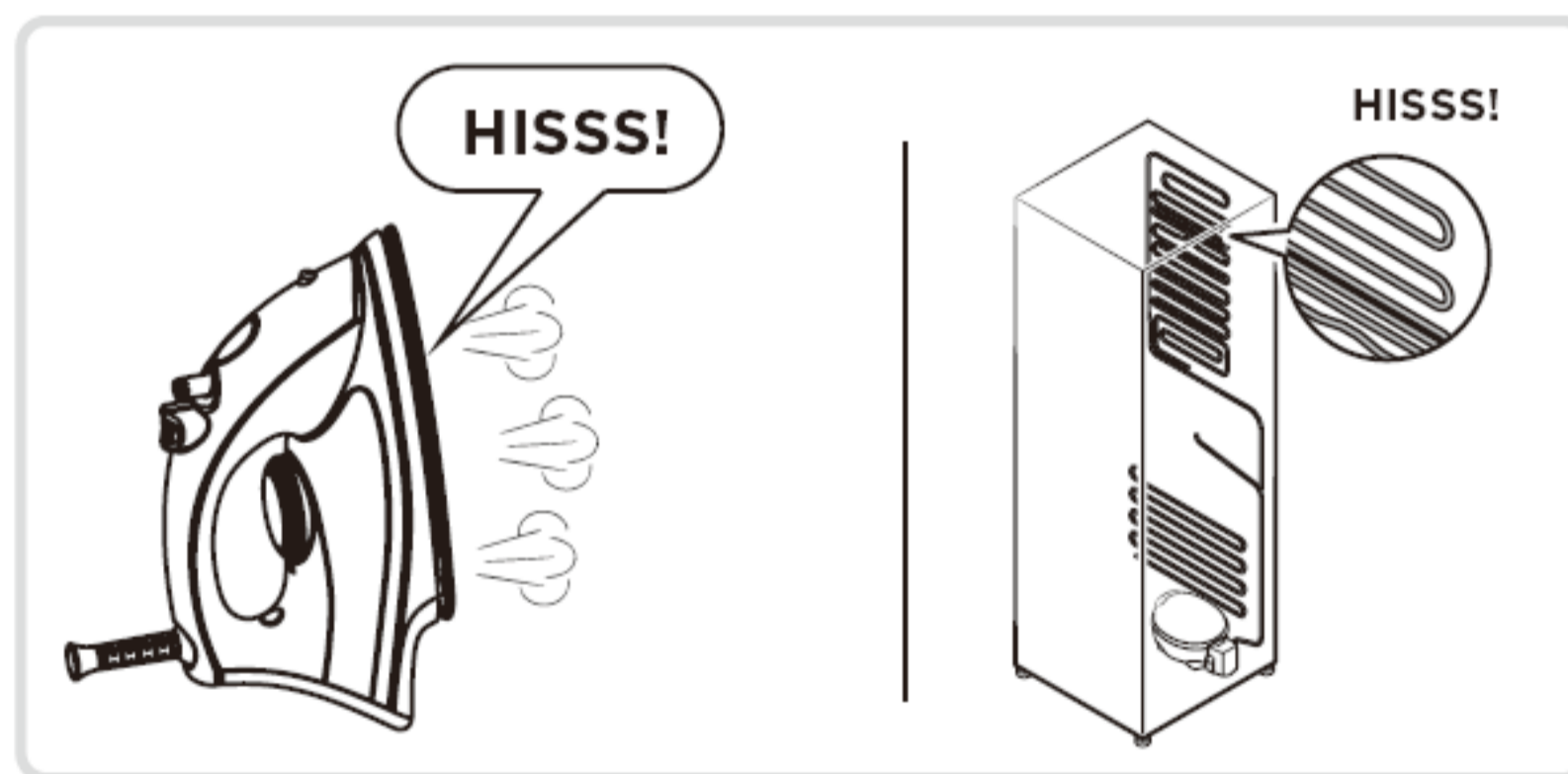
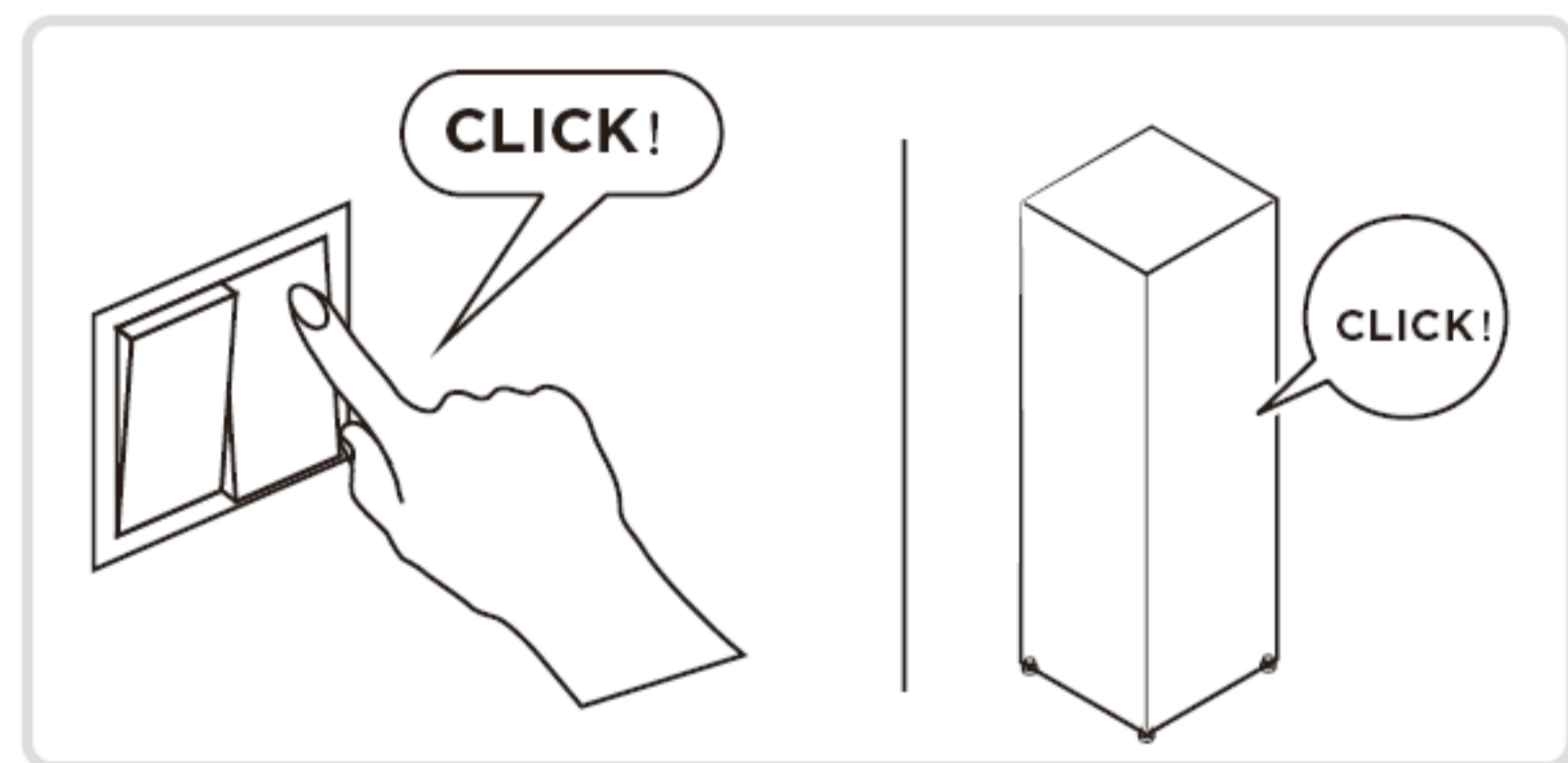
Failed operation	<ul style="list-style-type: none"> <li>• Check whether the appliance is connected to power or whether the plug is in well contact</li> <li>• Check whether the voltage is too low</li> <li>• Check whether there is a power failure or partial circuits have tripped</li> </ul>
Odor	<ul style="list-style-type: none"> <li>• Odorous foods shall be tightly wrapped</li> <li>• Check whether there is any rotten food</li> <li>• Clean the inside of the refrigerator</li> </ul>
Long-time operation of the compressor	<ul style="list-style-type: none"> <li>• Long operation of the refrigerator is normal in summer</li> <li>• when the ambient temperature is high It is not suggestible having too much food in the appliance at the same time</li> <li>• Food shall get cool before being put into the appliance</li> <li>• The doors are opened too frequently</li> </ul>
Light fails to get lit	<ul style="list-style-type: none"> <li>• Check whether the refrigerator is connected to power supply and whether the illuminating light is damaged</li> <li>• Have the light replaced by a specialist</li> </ul>
Door can not be properly closed	<ul style="list-style-type: none"> <li>• The door is stuck by food packages Too much food is placed</li> <li>• The refrigerator is tilted.</li> </ul>
Loud noises	<ul style="list-style-type: none"> <li>• Check whether the floor is level and whether the refrigerator is placed stably</li> <li>• Check whether accessories are placed at proper locations</li> </ul>
Door seal fails to be tight	<ul style="list-style-type: none"> <li>• Remove foreign matters on the door seal</li> <li>• Heat the door seal and then cool it for restoration</li> <li>• (or blow it with an electrical drier or use a hot towel for heating)</li> </ul>
Water pan overflows	<ul style="list-style-type: none"> <li>• There is too much food in the chamber or food stored contains too much water,resulting in heavy defrosting</li> <li>• The doors are not closed properly, resulting in frosting due to entry of air and increased water due to defrosting</li> </ul>
Hot housing	<ul style="list-style-type: none"> <li>• Heat dissipation of the built-in condenser via the housing, which is normal When housing becomes hot due to high ambient temperature, storage of too much food or shutdown of the compressor is shut down, provide sound ventilation to facilitate heat dissipation</li> </ul>
Surface condensation	<ul style="list-style-type: none"> <li>• Condensation on the exterior surface and door seals of the refrigerator is normal when the ambient humidity is too high. Just wipe the condensate with a clean towel.</li> </ul>
Abnormal noise	<ul style="list-style-type: none"> <li>• Buzz: The compressor may produce buzzes during operation, and the buzzes are loud particularly upon start or stop. This is normal.</li> <li>• Creak: Refrigerant flowing inside of the appliance may produce creak, which is normal.</li> </ul>

**Do you hear these abnormal sounds as below? Usually these sounds are normal.**



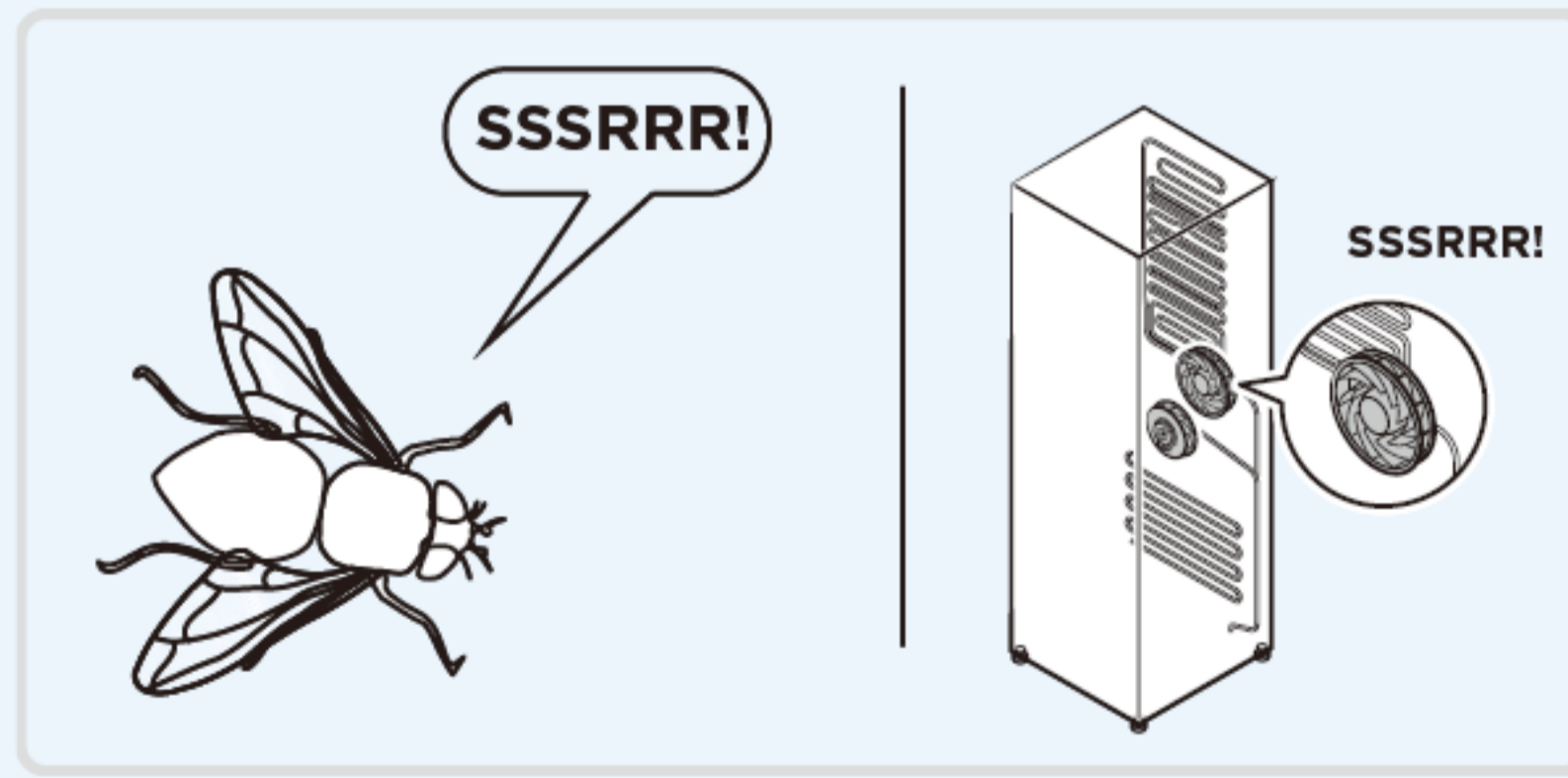
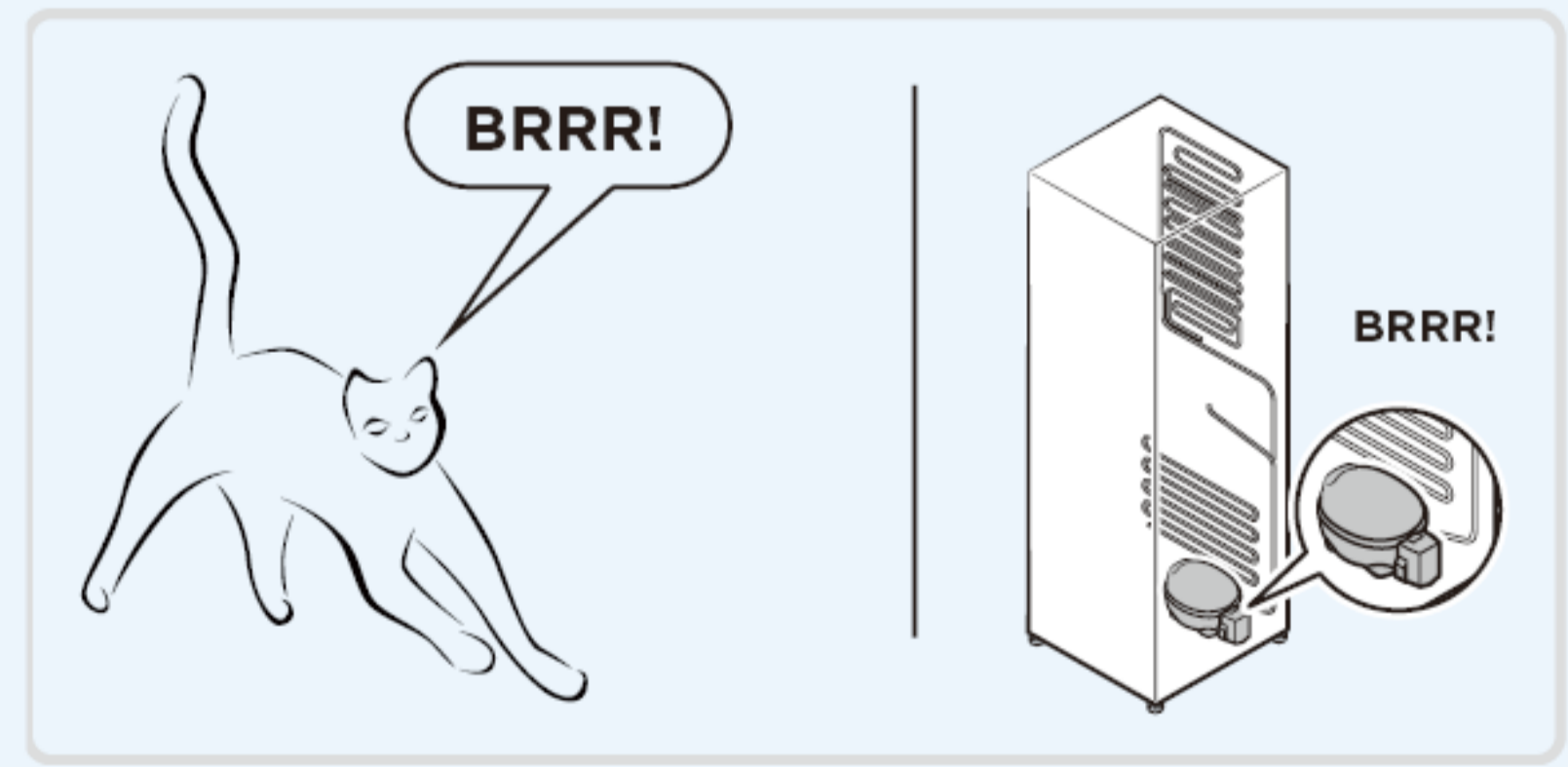
**CLICK:** Some electrical parts in the refrigerator, such as electric valve will make this noise when working. This is normal.

**HISS:** When the refrigerant flows into the evaporator, it will make this noise. This is normal.



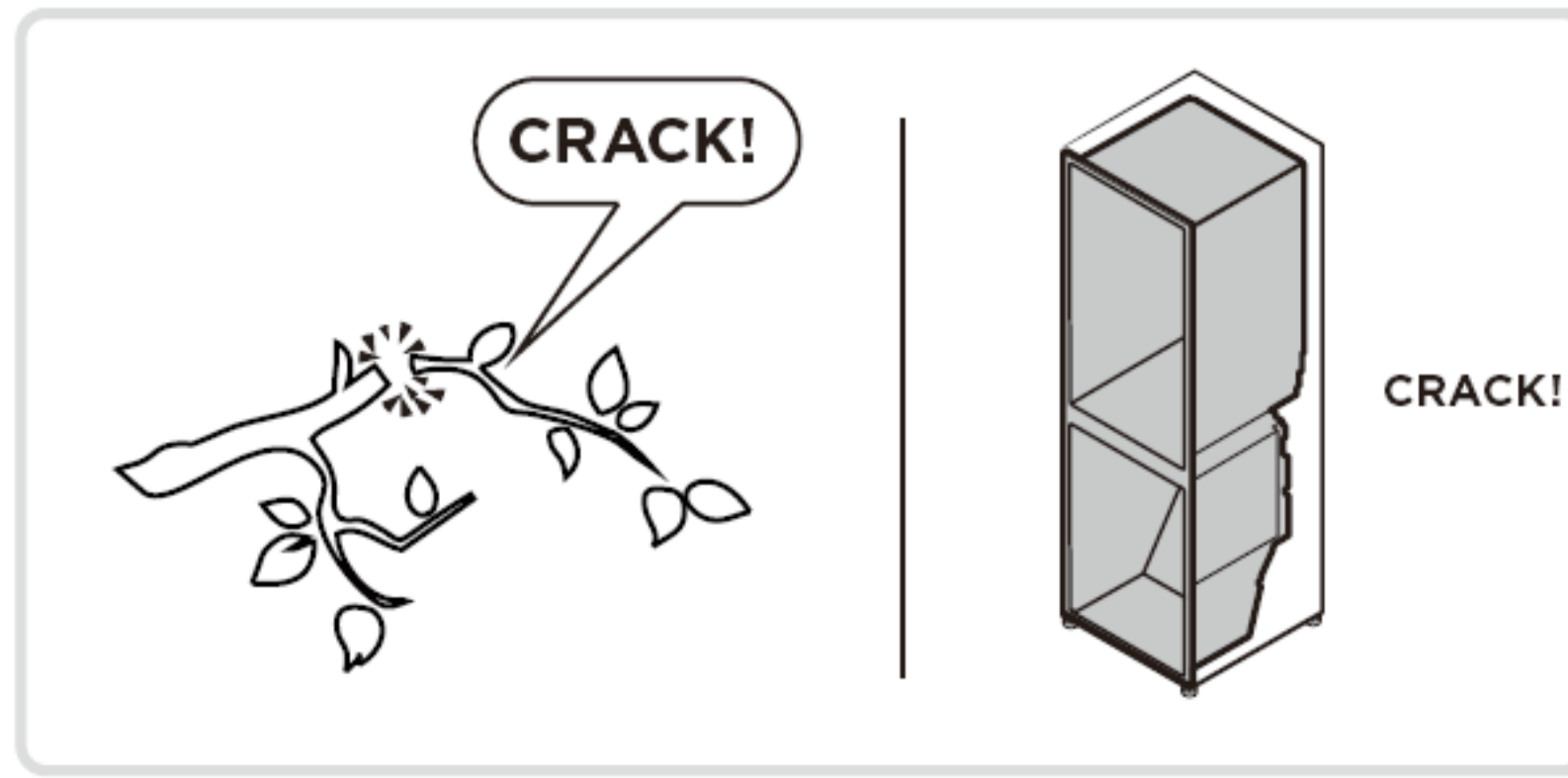
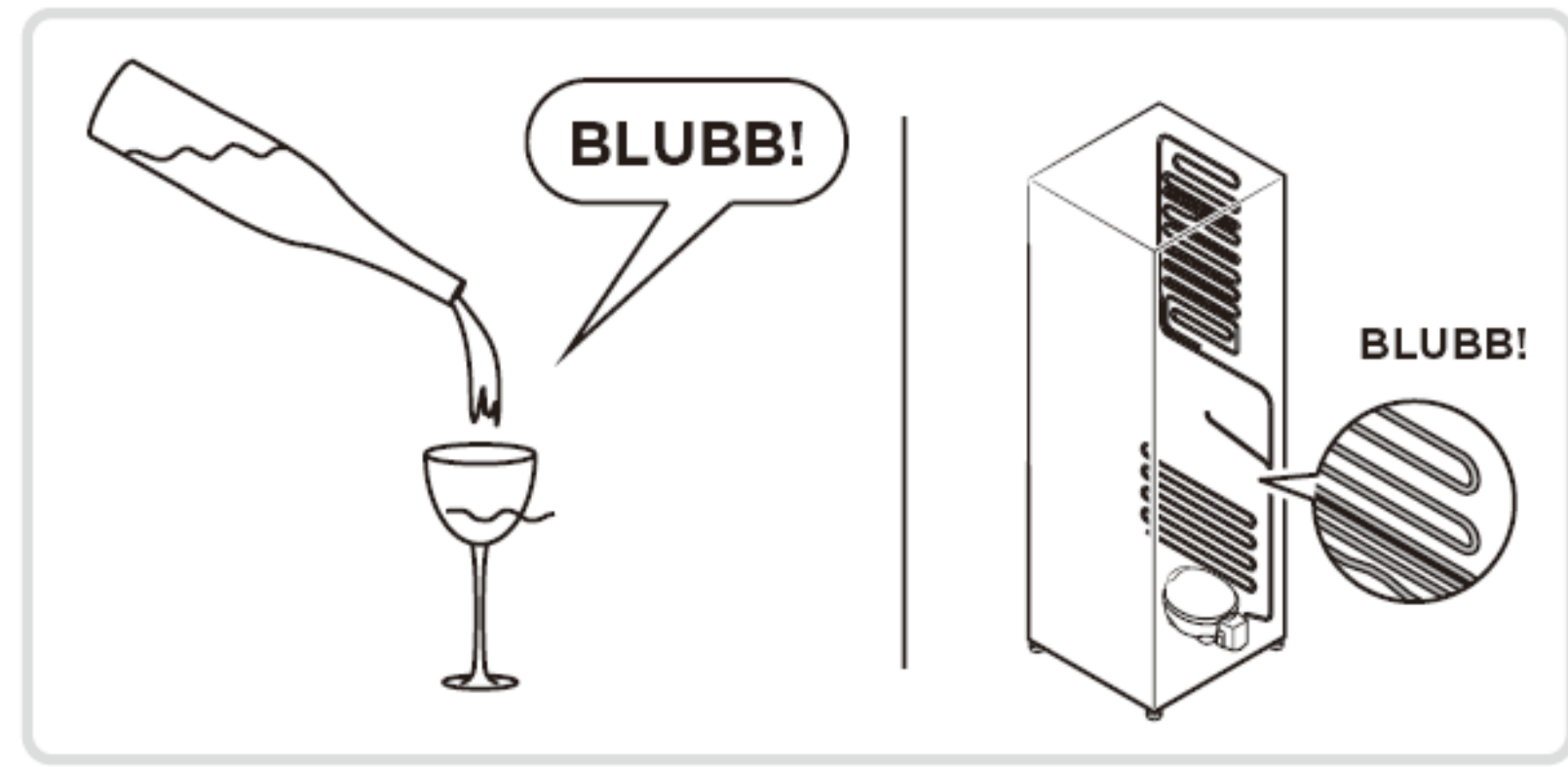
**BRRR:** The compressor will make this noise when working, and the buzzes are loud particularly upon start or stop. This is normal.

**SSSRRR:** The fan motor in the No frost refrigerator will make this noise when working. This is normal.



**BLUBB:** Refrigerant flowing through the pipes in the refrigerator will make this noise. This is normal.

**CRACK:** Cracking sound or broken ice sound: the overall structure of the refrigerator, air duct frost will be with the thermal expansion and contraction of the expansion sound, these are also normal physical phenomenon.



# Tips & Tricks

## Storing food

### Freezer compartment

The freezer compartment is designated for the low-temperature freezing of food, long-term storage of frozen food, and for the production of ice cubes.

Do not put fresh and frozen food next to each other. The frozen food may thaw.

When freezing large amounts of fresh food (such as meat, fish or chopped meat), please divide them into several small pieces before putting in, so that they can be quickly frozen and pick up easily.

Abide by the storage times recommended by food manufacturers on the packages, there is no information on the packaging, food should not be stored frozen for longer than three months from the date of purchase.

When purchasing frozen food, make sure that it was frozen at a suitable temperature and that the packaging is not damaged.

Frozen food should be kept in suitable individual packages to ensure that adjacent food cannot be contaminated. Consume thawed and defrosted foods immediately, do not refreeze them.

In case of prolonged power failure or malfunction of the appliance, remove the stored frozen food and check whether they are still edible, then store them in a sufficiently cool place or in another appliance.

To defrost food, remove it from the freezer and let it defrost at room temperature or in the refrigerator. To defrost food quickly, you can use the defrost function on your microwave, for example.

If you only want to defrost part of a pack, remove the portion you need and immediately close the rest of the pack. In this way, you will avoid “freezer burn” and will reduce ice formation on the remaining foods.

### Refrigerator compartment

The Refrigerator compartment is the ideal storage location for ready meals, cakes and pastries, preserved food, condensed milk, milk, cheese, spreads, sauces, dips and eggs.

The freshness at point of purchase is important for the shelf-life of your food. In principle, the fresher the produce when placed in the crisper drawers, the longer it stays fresh. Therefore, when buying food, always pay attention to the degree of freshness.

Never put warm foods in the fridge compartment. These should first cool down at room temperature and then be placed so as to ensure adequate air circulation in the fridge compartment.

Meat and clean fish (packed in a package or plastic foil) can be placed in the fridge compartment, which can be used in 1-2 days.

Fruit and vegetables without packaging can be placed in the part designated for fresh fruit and vegetables.

### • | Notes:

Storage of too much food during operation after the initial connection to power may adversely affect the freezing effect of the refrigerator.

### Storage times and temperature

**Note:** Overlong storage or storage at inappropriate freezing temperature may cause a quality loss or spoiled foods, which causes food waste, is inedible and may cause food poisoning. The minimum temperature in most cases should be -18°C or colder. Follow the maximum recommended storage times below:

- Stew, ice cream, sausages, bread: 2-6 months.
- Fish, shrimp, lamb, meat: 4-8 months.
- Vegetables, fruits, poultry, beef: 6-12 months.

## Tips for energy saving

Do not place the appliance near cookers, radiators or other heat sources. If the ambient temperature is high, the compressor will run more frequently and for longer, resulting in increased energy consumption.

Ensure that there is sufficient ventilation at the base of the appliance, on the sides of the appliance and at the back of the appliance.

Please also observe the spacing dimensions in the chapter “**Installation**”.

An evenly filled refrigerator/freezer compartment contributes to optimal energy use.

Allow warm food to cool before placing it in the refrigerator/freezer compartment. Food that has already cooled down increases energy efficiency.

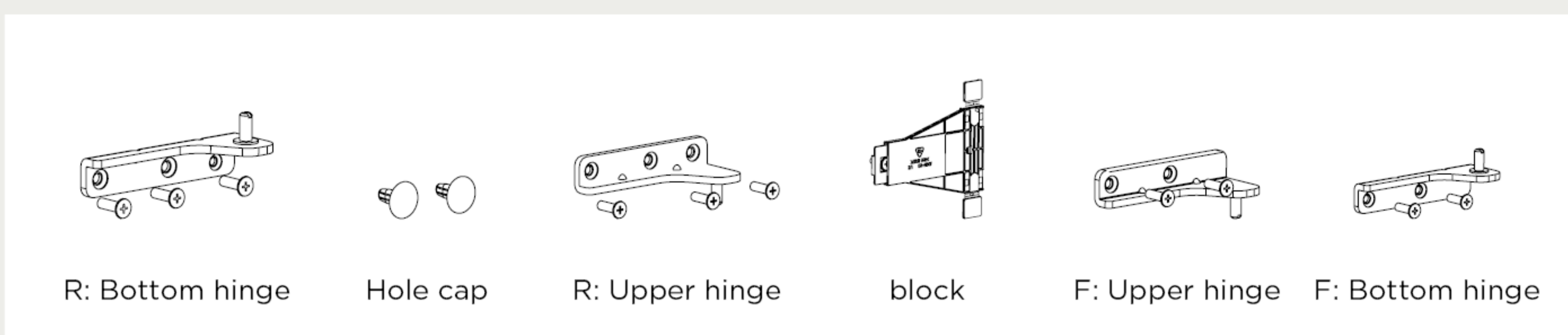
Allow frozen food to defrost in the refrigeration compartment. The coldness of the frozen food reduces the energy consumption in the refrigerator compartment and thus increases the energy efficiency.

Setting the temperature no colder than necessary contributes to optimal energy use.

The door gaskets of your appliance must be perfectly intact so that the doors close properly and energy consumption is not increased unnecessarily.

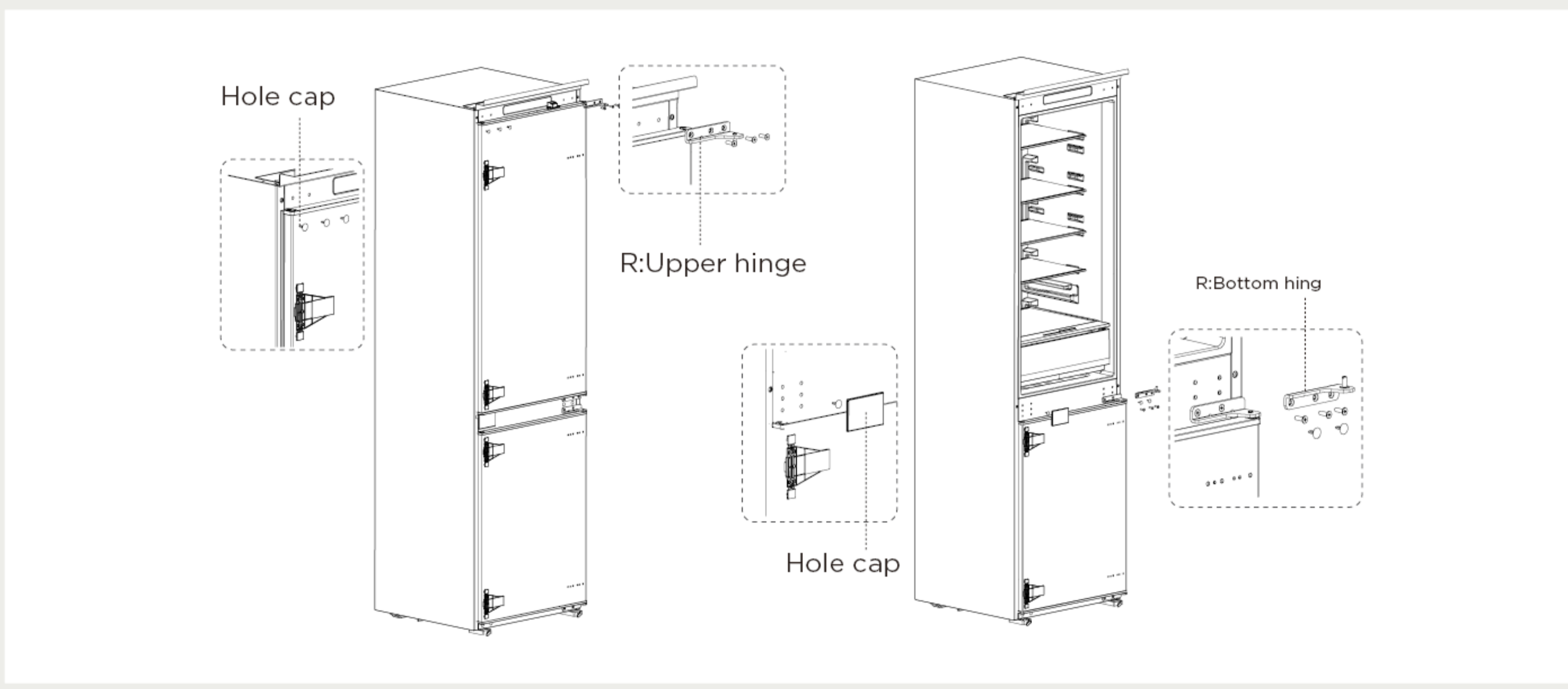
# Doors Reversal

Parts already mounted on the refrigerator (as shipped):

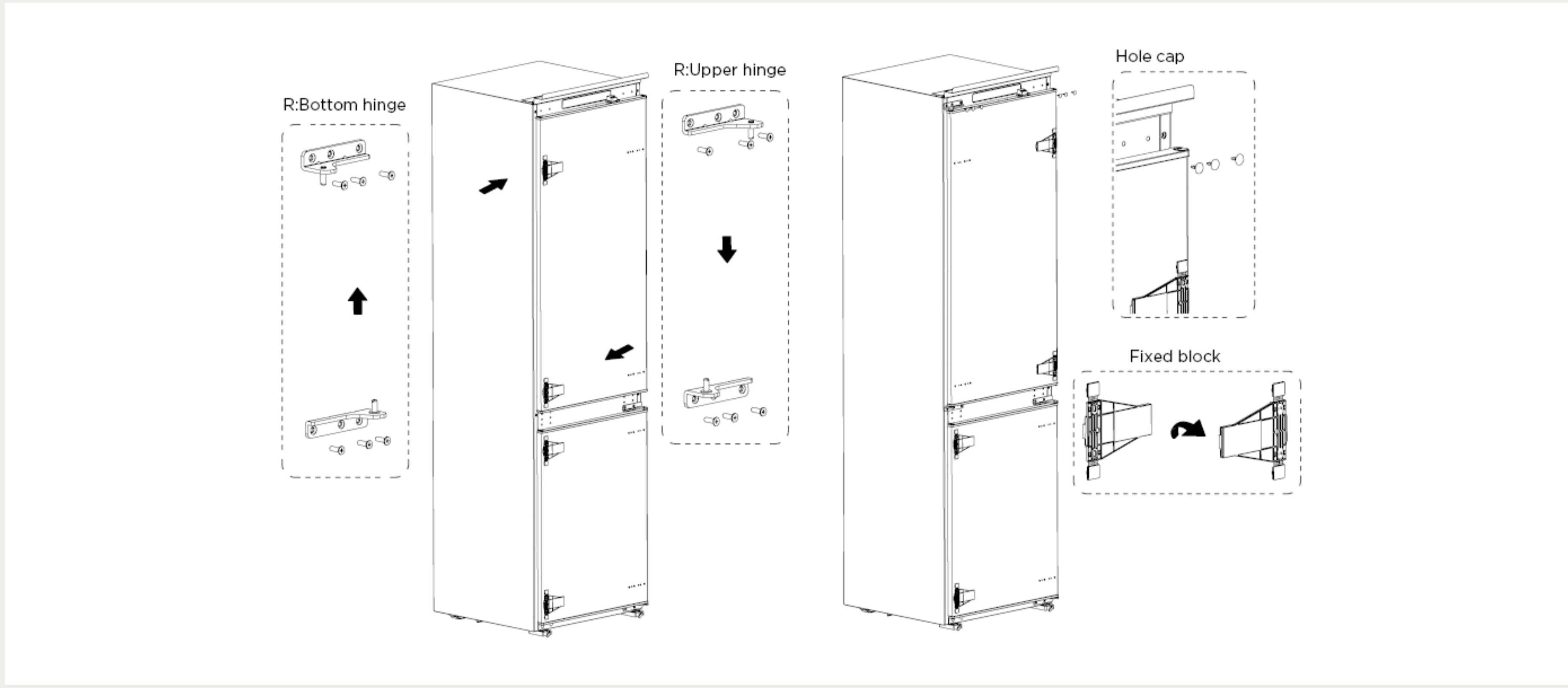


## Steps:

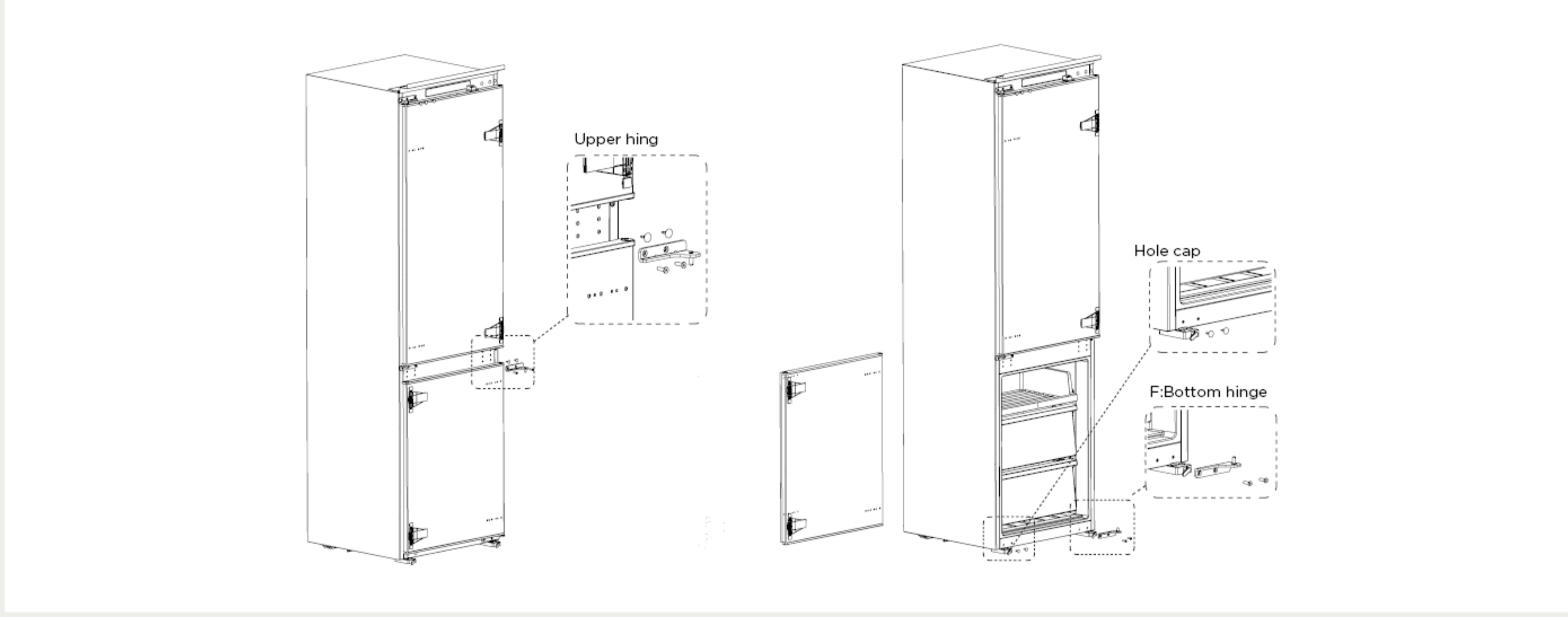
1. Power off the refrigerator, and remove all objects from the door trays.
2. Remove the upper hinge and hole caps of refrigerator door.
3. Remove the refrigerator door, the bottom hinge and the hole cover.



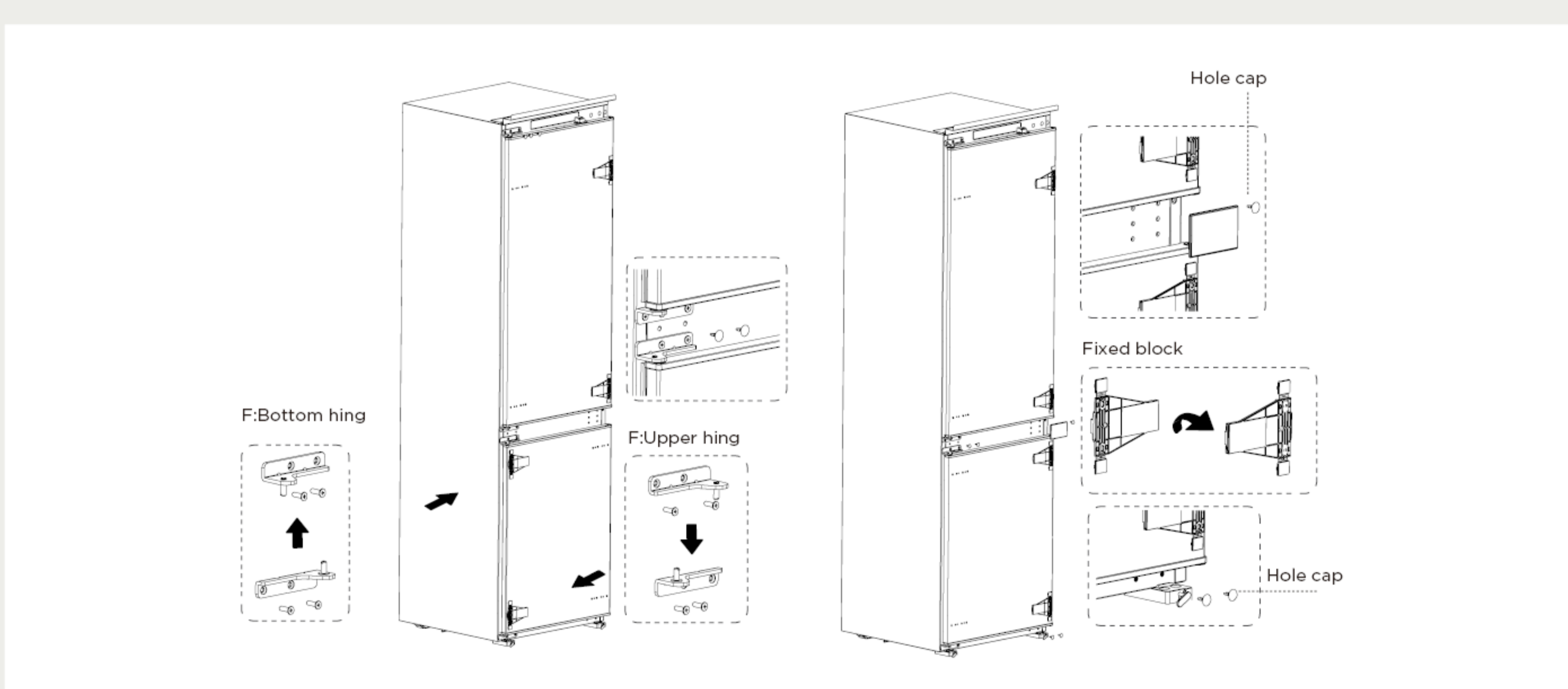
4. Exchange the R:bottom hinge and R:upper hinge ,then install them according to below steps, and install the top hole caps.
5. Remove the two fixed blocks of refrigerator door and rotate them for 180° and install them on other side of refrigerator door.



6. Remove the the upper hinge of freezer door and plug pin.
7. Remove the freezer door, the bottom hinge and the hole caps.



8. Exchange the F:bottom hinge and F:upper hinge ,then install them according to below steps, and install the top hole cover and lower hole caps
9. Remove the two fixed blocks of freezer door and rotate them for 180° and install them on other side of freezer door.



10. The picture after completion is shown as below.



## • | NOTE

**Differences:** Due to technical changes and different models, some of the illustrations in this manual may differ from your model.